

ERGOROUND SERIES

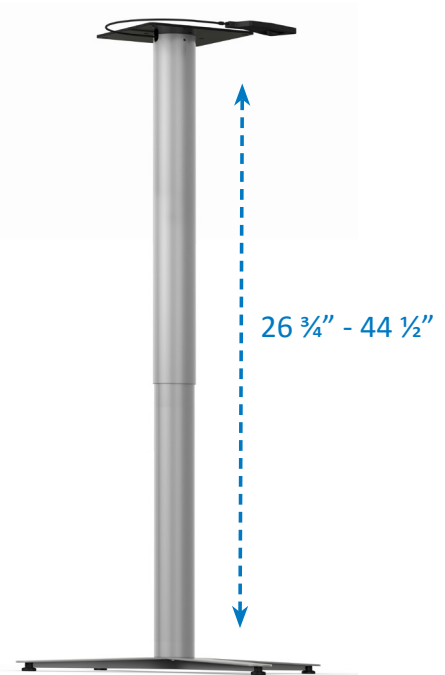
612 Adjustable Height X-Base (4" Diameter) - Extended

ITEM INFORMATION

Item#	Foot Span	Max. Table Size (Round)	Max. Table Size (Square)	Mounting Plate	Price
LR1R4.061230P	30"	42"	36" x 36"	12" x 12"	\$980
LR1R4.061234P	34"	48"	42" x 42"	12" x 12"	\$994

AVAILABLE LIFT RATINGS

Specify	Pound Equivalent	Lift Range
200 N	44 lbs.	22-32 lbs.
250 N	55 lbs.	33-43 lbs.
300 N	66 lbs.	44-54 lbs.



SPECIFICATIONS

Base Height Adjustment Range	26 $\frac{3}{4}$ "-44 $\frac{1}{2}$ " (with levelers and without table top)
Column, Lower Outer	4" dia. x 14 ga. round steel tube
Column, Upper Inner	4 $\frac{1}{4}$ " dia. x 14 ga. round steel tube
Main Bar/Foot	Laser cut and welded 7 ga. steel
Leveler	$\frac{5}{16}$ "-18"x $\frac{1}{2}$ " long threaded stem with black nylon end
Mounting Plate	$\frac{1}{4}$ " steel mounting plate
Assembly Method	Set of four (4) 8mm bolts both at the top and bottom of each column
Shipped	All components included for one table Not assembled

AVAILABLE OPTIONS

- Casters (will increase height) +\$64
- Flip Top +\$112
- Premium Casters (will increase height) +\$80
- Genu-Flip +\$151

Please contact Customer Service for assistance before placing your orders.

The pneumatic and electric height adjustable options require a higher level of product understanding, installation and product knowledge. **Caution should be taken at all times when assembling adjustable height products.** There are warning labels and tags on items that require close attention. Please follow all assembly instructions and warnings when unpacking and assembling adjustable height productions. Miss-use or improper handling of product will result in voiding of Valley Design warranty and possible injury to assembler/end-user. Valley Design does not hold responsibility for any damage to product due to miss-use, lack of attention to instructions.