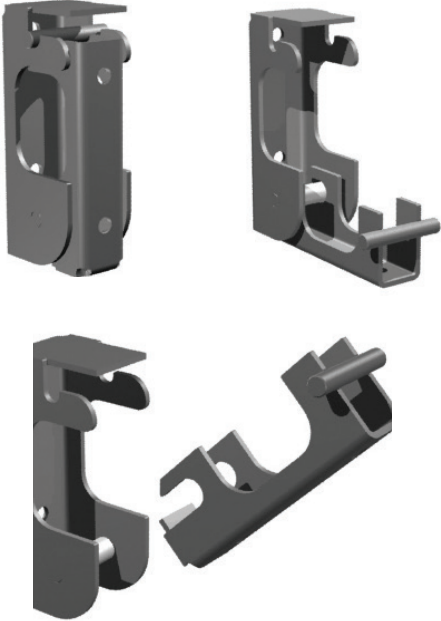


# MODESTY PANEL Removable Brackets

## ITEM INFORMATION

| Item# | Description & Packaging                        | Price |
|-------|--|-------|
| 5101  | 1 pair (4 pieces) to attach to 1 Modesty Panel | \$52  |



### SPECIFICATIONS

- Locks into place in upright and lowered positions
- Lowering the modesty panel to a 45° angle to the base allows for detachment of modesty panel from base
- Lowering the modesty panel to a 90° angle to the base allows for easy access for wire management needs
- Available in powder coat flat black only
- Attachment screws not included when ordered separately
- Provide modesty panel size when ordering in conjunction with Valley Design bases
- Can be used with Modesty Panel End Brackets