

ERGOSQUARED SERIES

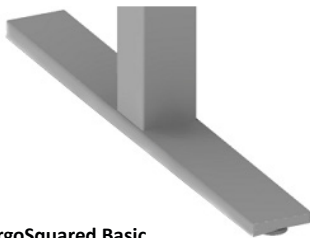
Crank End Base-Extended Height Crank

ITEM INFORMATION

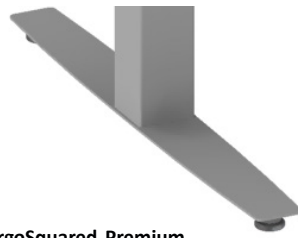
Item #	Base Spread	Max. Table Size	Mounting Plate	Basic Foot Price	Premium Foot Price
CX270QE18P	18"	24" x 72"	8" x 8"	\$641	\$732
CX270QE22P	22"	30" x 72"	8" x 8"	\$650	\$740
CX270QE26P	26"	36" x 72"	8" x 8"	\$659	\$717

*Note: Model numbers include two bases per price.

AVAILABLE FOOT DESIGNS

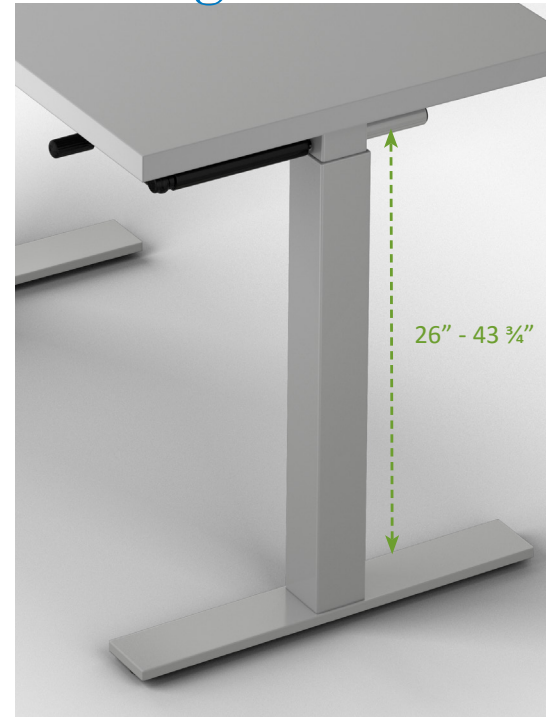


ErgoSquared Basic



ErgoSquared Premium

*Please contact Customer Service for assistance with color options on all adjustable height products.



SPECIFICATIONS

Base Height Adjustment Range	26" - 43 $\frac{3}{4}$ " (with levelers and without table top)
Column, Outer	2.76" (70 mm) dia. x 0.079" (2 mm) square steel tube
Column, Inner	2.48" (63 mm) dia. x 0.079" (2 mm) square steel tube
Cantilever (CT) Option	Column will be offset 3" from center of foot
Main Bar/Feet	ErgoSquared Basic: 3" x $\frac{1}{2}$ ", machined steel bar ErgoSquared Premium: 3" x $\frac{1}{2}$ ", machined steel bar
Leveler	$\frac{5}{16}$ "-18 x $\frac{1}{2}$ " long threaded stem with black nylon end
Mounting Plate	$\frac{1}{4}$ " steel plate
Assembly Method	Set of four (4) 8mm bolts both at the top and bottom of each column
Shipped	All components included for one table with two bases Not assembled

AVAILABLE OPTIONS

- CT Option +\$14
- Casters +\$51