

ERGOSQUARED SERIES

Pneumatic Roller X-Base - Extended

ITEM INFORMATION

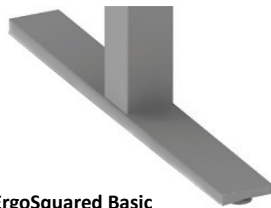
Item #	Base Spread	Max Table Size (Round)	Max Table Size (Square)	Mounting Plate	Basic Foot Price	Premium Foot Price
LR70QX22P	22"	30"	24" x 24"	8" x 8"	\$664	\$812
LR70QX26P	26"	36"	30" x 30"	8" x 8"	\$674	\$818
LR70QX32P	32"	42"	36" x 36"	12" x 12"	\$686	\$827
LR70QX36P	36"	48"	42" x 42"	12" x 12"	\$698	\$839

AVAILABLE LIFT CAPACITY

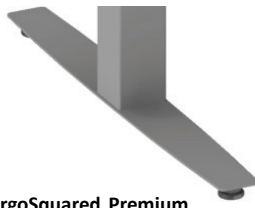
Specify	Pound Equivalent	Lift Range
150N	33 lbs.	1-44 lbs.
200N	44 lbs.	15-55 lbs.
250N	55 lbs.	26-66 lbs.
300N	66 lbs.	37-77 lbs.

*Please contact Customer Service for assistance with color options on all adjustable height products.

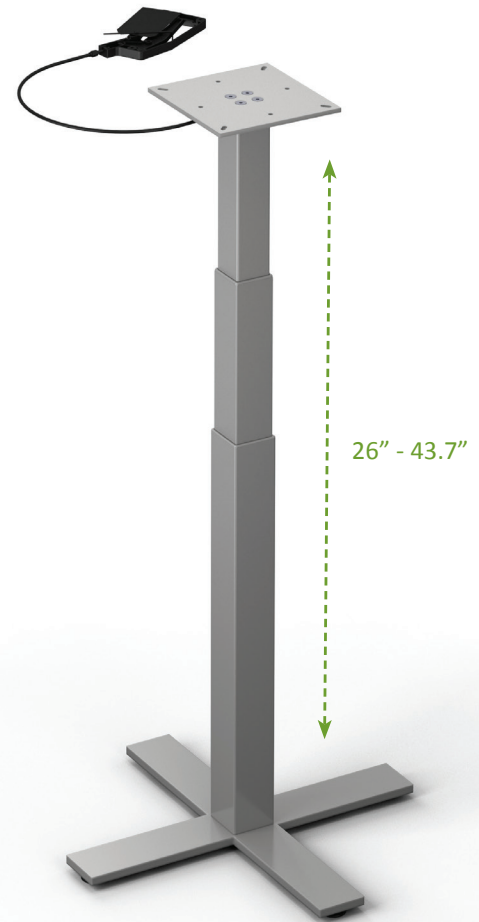
AVAILABLE FOOT DESIGNS



ErgoSquared Basic



ErgoSquared Premium



SPECIFICATIONS

Base Height Adjustable Range	26"-43.7" (with levelers and without table top)
Column (Outer)	2.76" (70 mm) dia. x 0.079" (2 mm) square steel tube
Column (middle on stage 3)	2.48" (63 mm) dia. x 0.079" (2 mm) square steel tube
Column (inner on stage 3)	2.20" (56 mm) dia. x 0.079" (2 mm) square steel tube
Main Bar/Feet	ErgoSquared Basic: 3" x 1/2", machined steel bar ErgoSquared Premium: 3" x 1/2", machined steel bar
Leveler	3/16"-18 x 1/2" long threaded stem with black nylon end
Mounting Plate	For 22" and 26"- 1/4" steel plate For 32" and 36"- 1/4" steel plate
Assembly Method	Set of four (4) 8mm bolts both at the top and bottom of each column
Shipped	All components included for one table with one base Not assembled

AVAILABLE OPTIONS

- Casters (will increase height) +\$64
- Premium Casters (will increase height) +\$80
- Flip Top +\$112